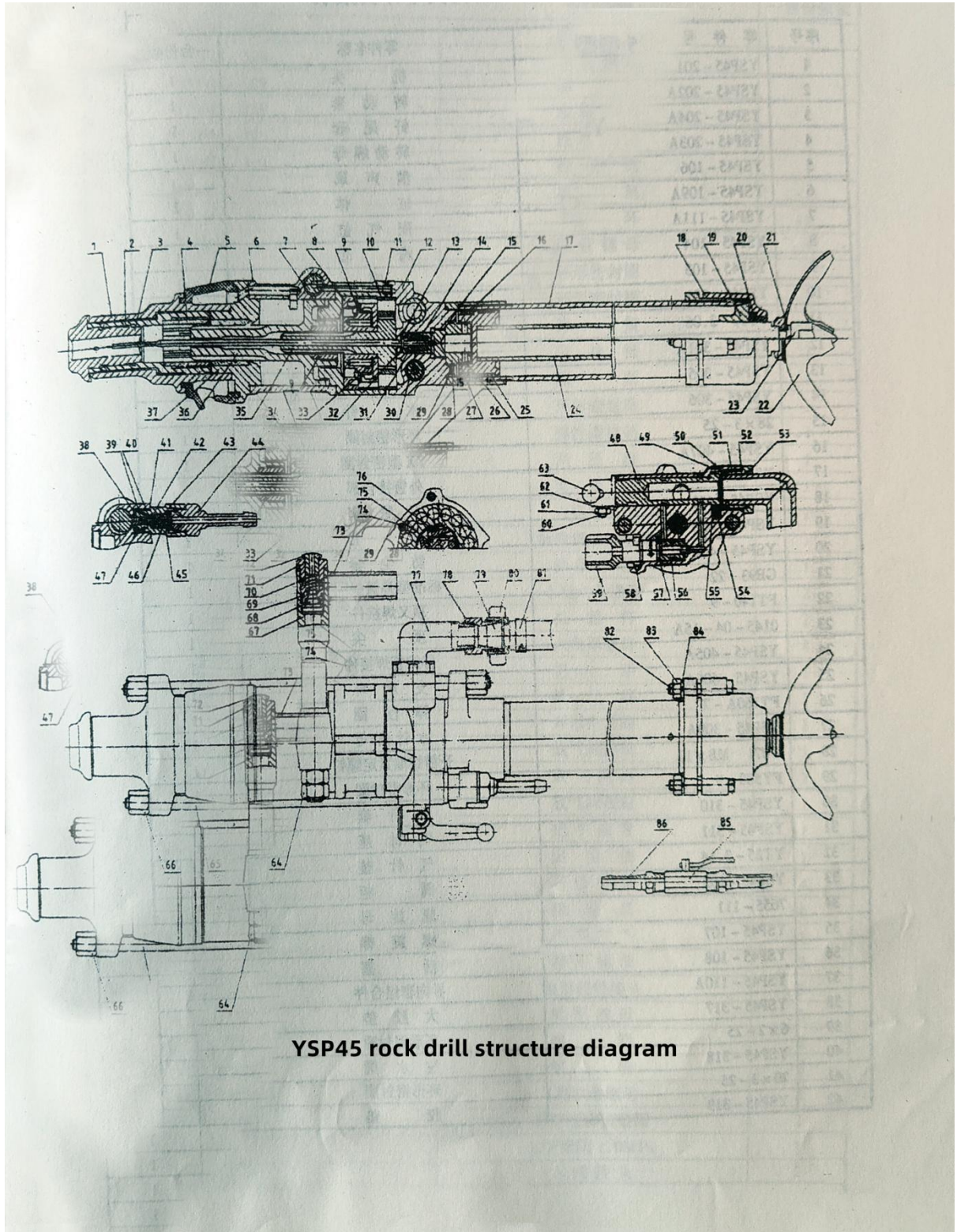
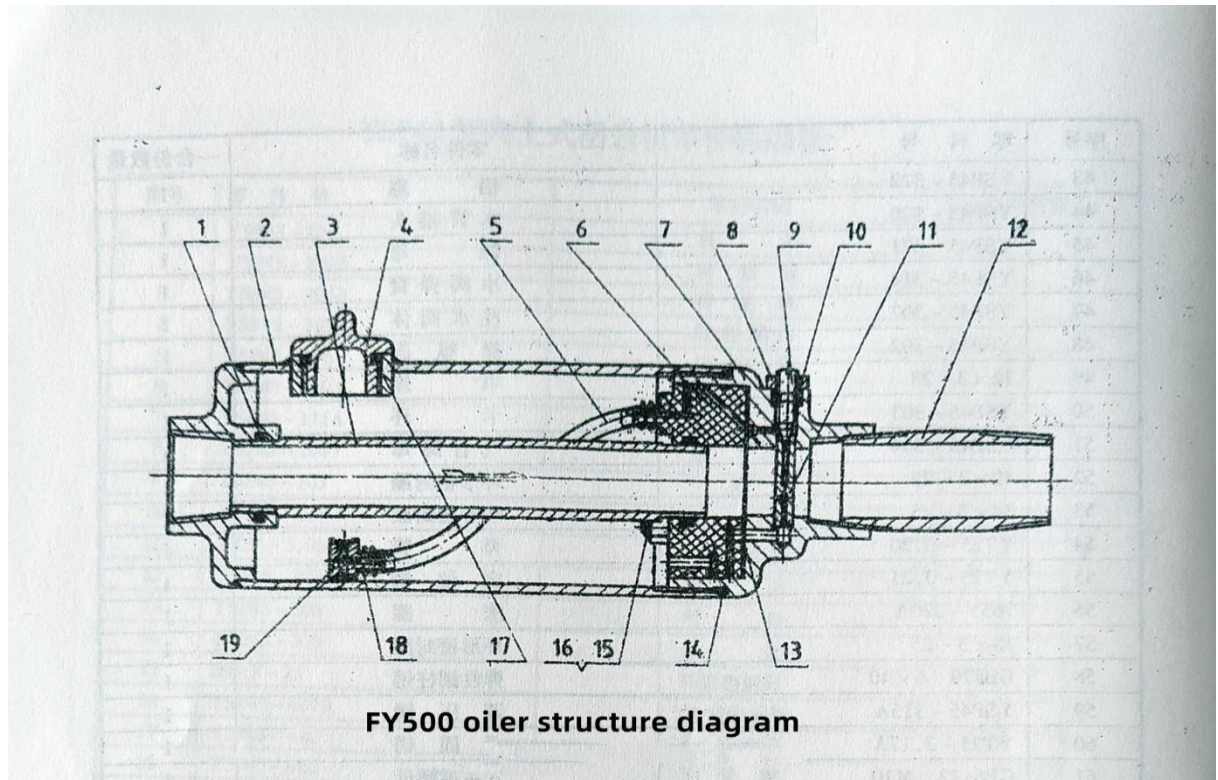


YSP45 Rock Drill Rigs for Upward Drilling Parts List				
Serial number	Part Number	Part Name	中文	Quantity per set
1	YSP45-201	Machine head	机头	1
2	YSP45-202A	Rotating sleeve	转动套	1
3	YSP45-202A	Drill tail sleeve	钎尾套	1
4	YSP45-203A	Turn the nut	转动螺母	1
5	YSP45-106	Noise Shield	消声罩	1
6	YSP45-109A	Cylinder	缸体	1
7	YSP45-111A	Air cylinder	配气缸	1
8	YSP45-104	Valve sleeve	阀套	1
9	YSP45-103	Valve	阀	1
10	YSP45 -101	Ratchet	棘轮	1
11	YT30-3.06	Small sealing sleeve	小密封套	3
12	YSP45-301A	Handle	柄体	1
13	YSP45-305	Gas needle	气针	1
14	YSP45-306	Water injection	水针	1
15	28x3-25	Ring seal	环形密封圈	1
16	YSP45-407A	YX type sealing ring	YX 型密封圈	1
17	YSP45-401	Outer tube joint	外管接合部	1
18	YSP45-402	Lower pipe seat	下管座	1
19	YSP45-403	Bushing	导套	1
20	YSP45-404	Dust cover	防尘套	1
21	GB93 22	Standard spring washers	标准型弹簧垫圈	1
22	FT140-9	Top fork welding parts	顶叉焊接件	1
23	0145-04-15A	Top notch	顶尖	1
24	YSP45-405A	Telescopic pipe welding parts	伸缩管焊接件	1
25	YSP45-406A	Support ring	支承环	1
26	FTI60A-7	Elastic ring	弹性圈	1
27	YSP45-309A	Water needle nut	水针螺母	1
28	CB7I M8x10	Slotted cone point set screws	开槽锥端紧定螺钉	1
29	FY500-8	Ring seal	环形密封圈	1
30	YSP45-310	Water needle sleeve	水针套	1
31	YSP45-311	Air needle seat	气针座	1
32	YT25-3.14	Air Needle Cushion	气针垫	1
33	YSP45-102	Valve Cabinet	阀柜	1
34	7655-111	Spiral nut	螺旋母	1
35	YSP45-107	Spiral rod	螺旋棒	1
36	YSP45-108	Piston	活塞	1
37	YSP45-110A	Guide sleeve assembly	导向套组合件	1
38	YSP45-317	Large rubber pad	大胶垫	1
39	6x2-25	Ring seal	环形密封圈	1

40	YSP45-318	Filling valve	注水阀	1
41	20x3-25	Ring seal	环形密封圈	2
42	YSP45-319	Rubber pad	胶垫	1
43	YSP45-322	Aluminum plug	铝塞	1
44	YSP45-320	Pipe connector	水管接头	1
45	YSP45-321	Nuts	螺母	1
46	YSP45-314	Water valve spring	水阀弹簧	1
47	YSP45-307	Water injection valve body	注水阀体	1
48	YSP45-302	Control valve	操纵阀	1
49	12x3-23	Stuffing	填塞	1
50	YSP45-303	Snap ring	卡环	1
51	YSP45-304	Trachea nut	气管螺母	1
52	42x3-25	Ring seal	环形密封圈	1
53	34x3-25	Ring seal	环形密封圈	1
54	YT25-3.20	Spring	弹簧	1
55	YT25-3.21	Positioning pin	定位销	1
56	7655-320A	Rising Circle	涨圈	1
57	18x3-25	Ring seal	环形密封圈	1
58	GB879 6x40	Elastic cylindrical pin	弹性圆柱销	1
59	YSP45-315A	Pressure regulating valve	调压阀	1
60	YT25-3.17A	Fastening pin	紧固销	1
61	GB6172 M10	Hexagonal thin nut	六角薄螺母	1
62	GB93 10	Standard spring washers	标准型弹簧垫圈	1
63	YSP45-316	Joystick	操纵手柄	1
64	GB6171 M20x1.5	I-type hexagonal nut	I型六角螺母	2
65	YSP45-308	Long screw	长螺杆	2
66	GB56 M16	Hexagon thick nut	六角厚螺母	4
67	0145-01-22	Handle	把手	1
68	0145-01-16	Release valve	放气阀	1
69	22x3-25	Ring seal	环形密封圈	1
70	0145-01-15	Air release valve spring	放气阀弹簧	1
71	0145-01-13A	Air bleed valve body	放气阀体	1
72	0145-01-14	Air release valve button	放气阀按钮	1
73	0145-01-23	Handle takeover	把手接管	1
74	YSP45-105	Positioning pin	定位销	1
75	YT25-1.15	Tower-shaped reel	塔形弹簧	4
76	YT25-1.14	Ratchet Pawl	棘轮爪	4
77	YSP45-312	Trachea elbow	气管弯头	1
78	YSP45-313	Connector nut	接头螺母	3
79	25-04	Conical hose connector	锥形胶管接头	3
80	25-01	Butterfly nut	蝶形螺母	3
81	NO.2A	Hose clamp	喉箍	3
82	YSP45-411	Bolt	螺栓	2

83	GB6170 M12	I-type hexagonal nut	I 型六角螺母	2
84	CB93 12	Standard spring washers	标准型弹簧垫圈	2
85		1/2" ball valve 1.0MPa	1/2"球阀 1.0MPa	1
86	YSP45-501	Water valve connector	水阀接头	2





FY500 oiler parts list				
Serial number	Part Number	Part Name	中文	Quantity per set
1	26x3-25	Ring seal	环形密封圈	2
2	FY500A-1A	Shell welding parts	外壳焊接件	1
3	FY500A-2	Inner tube	内管	1
4	FY500A-6	Oil blockage	油堵	1
5	FY500A-3	oil pipe	油管	1
6	FY500A-8	Bushing	衬套	1
7	FY500A-4A	The front cover	前盖	1
8	GB6172-M8	Hexagonal thin nut	六角薄螺母	1
9	FY200-10	Oil regulating valve	调油阀	1
10	6x2-25	Ring seal	环形密封圈	1
11	FY500A-5	Oil valve	油阀	1
12	FY500-3	Connecting pipe	联接管	2
13	FY500A-7	Pad	垫	1
14	FY500-8	Ring seal	环形密封圈	1
15	GB901 M6x40	Equal length studs	等长双头螺柱	2
16	GB6172 - M6	Hexagonal thin nut	六角薄螺母	2
17	28x3.1GB1235-76	O-ring	O型密封圈	1
18	FY500-11	Copper wire	铜丝	2
19	FY500-2	Oil suction head	吸油头	1